

DSDL-1350BK, DSDL-1350WT, DSDL-2350WB Installation Instructions

SAVE THESE INSTRUCTIONS

WARNING – TO REDUCE THE RISK OF FIRE OR INJURY TO PERSONS

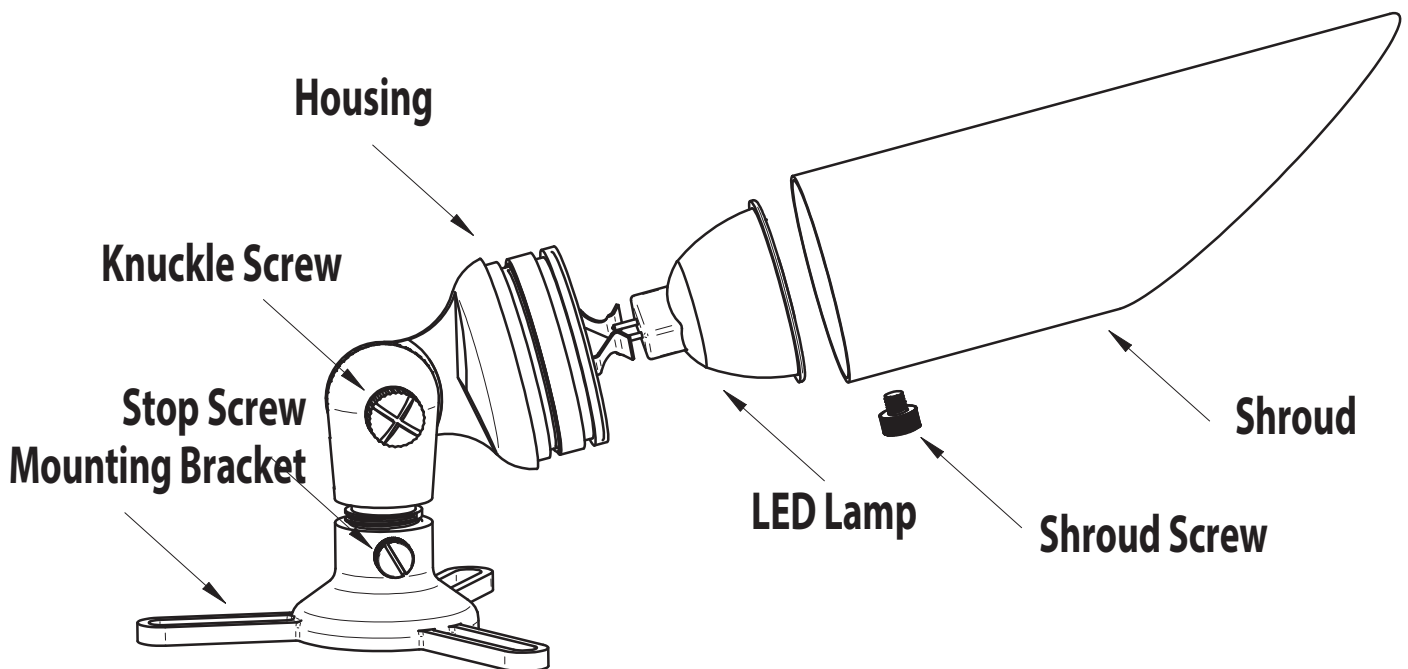
- Turn power OFF or unplug fixture and allow it to cool before replacing lamp.
- Lamp gets HOT quickly. Contact only switch/plug when turning on.
- Do not touch hot lens, guard, or fixture housing until it has cooled.
- Keep lamp away from combustibles.
- Do not touch halogen lamp. Use a soft cloth. Oil from skin may damage lamp.
- Do not operate the fixture fitting with a missing or damaged shield.

IMPORTANT SAFETY INSTRUCTIONS

- For outdoor use only.
- Make sure the power is turned OFF before installing or servicing this fixture.
- WARNING: Risk of electrical shock. Install all fixtures 10 feet (3.05 m) or more from a pool, spa, or fountain.
- This fixture is to be used with a low voltage power supply that does not exceed 15V.
- Position the wire and wire connector so that is connected within 6 inches (15.2 cm) from a building structure, a fixture or fitting.
- Not to be buried except for a maximum of 6 inches to connect to the main low voltage cable.

LAMP INSTALLATION/REPLACEMENT INSTRUCTIONS

1. Remove shroud from the fixture housing.
2. Insert MR16 lamp (35W max) into the lamp socket.
3. Replace shroud and secure with the set screw to the fixture housing.



DSDL-1350BK, DSDL-1350WT, DSDL-2350WB, DSDL-2350CB Installation Instructions

FIXTURE MOUNTING INSTRUCTIONS

1. Disconnect transformer from main power supply.
2. Remove shroud from the fixture housing.
3. Insert MR16 lamp (50W max) into the lamp socket.
4. Replace shroud and secure with the set screw to the fixture housing.
5. Run lead wire from fixture through the slot on the mounting bracket.
6. Attach mounting bracket onto desired location. Fixture designed to be operated in the downward facing direction.
7. Screw fixture onto mounting bracket and tighten until snug. Secure by tightening stop screw. Make sure that the fixture's set screw and weep hole are facing downward.
8. Strip the two fixture lead wires and connect them to the main low voltage supply cable lead with silicone filled wire connectors.

